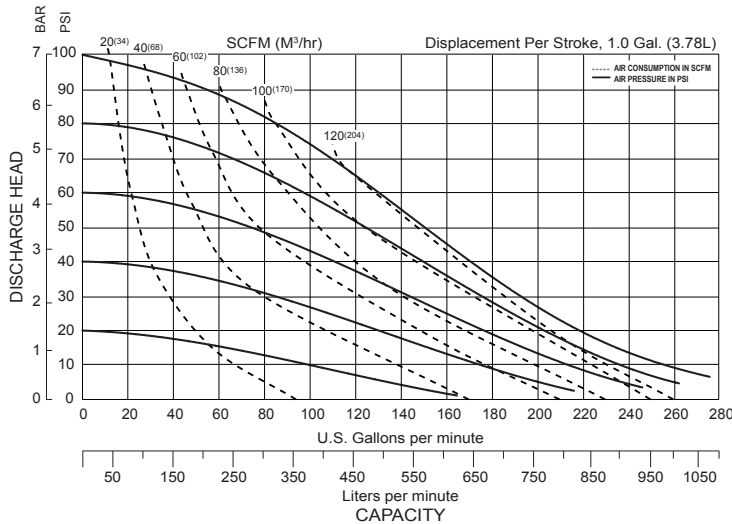


# E3 DATA SHEET

## SPECIFICATIONS & PERFORMANCE

## 3" Bolted Plastic with Plastic Center Section

### PERFORMANCE



NOTE: Performance based on the following: elastomeric fitted pump, flooded suction, water at ambient conditions. The use of other materials and varying hydraulic conditions may result in deviations in excess of 5%.

### SPECIFICATIONS

#### Flow Rate

Adjustable to . . . . .  
 . . . . . 0 to 280 GPM (1060 LPM)

#### Port Size

Suction . . . . .  
 3" ANSI Style Flange (DIN 80)  
 Discharge . . . . .  
 3" ANSI Style Flange (DIN 80)

Air Inlet . . . . . 3/4" NPT

Air Exhaust . . . . . 1" NPT

#### Suction Lift

Dry . . . . . 20' (6.1 m)  
 Wet . . . . . 25' (7.6 m)

#### Max Solid Size (Diameter)

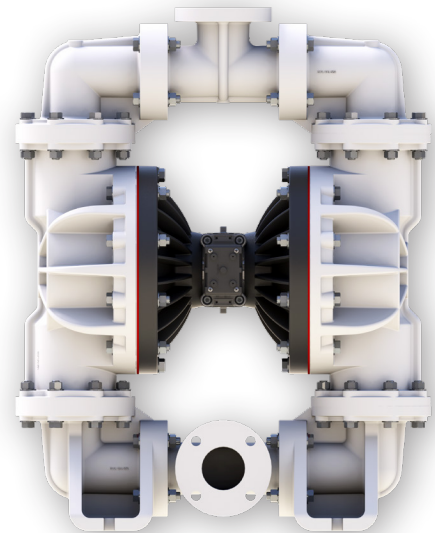
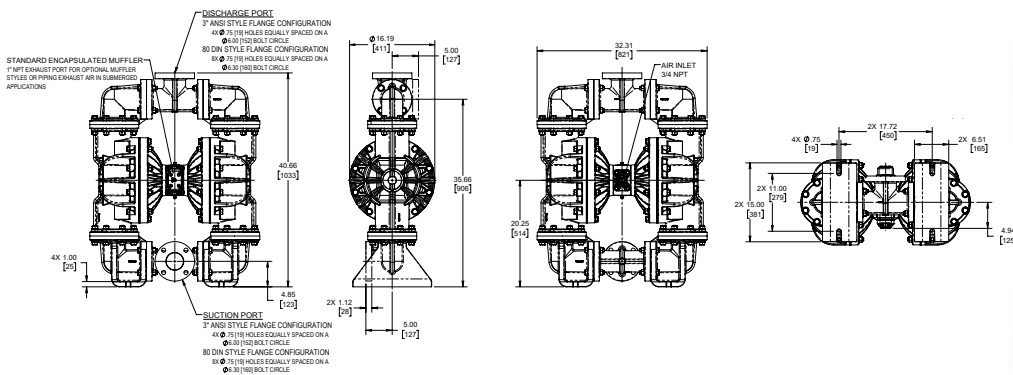
. . . . . 0.71" (18 mm)

Max Noise Level . . . . . 96 dB(A)

#### Shipping Weights

Polypropylene . . . . . 208 lbs (94 kg)  
 PVDF . . . . . 271 lbs (123 kg)

### DIMENSIONS



Warren Rupp, Inc. | A Unit of IDEX Corporation  
 800 North Main Street | Mansfield, OH 44902 USA  
 Phone: 419.526.7296 | Fax: 419.526.7289

[VERSAMATIC.COM](http://VERSAMATIC.COM)

e3nmdlBsm-rev0519

©Copyright 2019 Warren Rupp, Inc. All Rights Reserved.